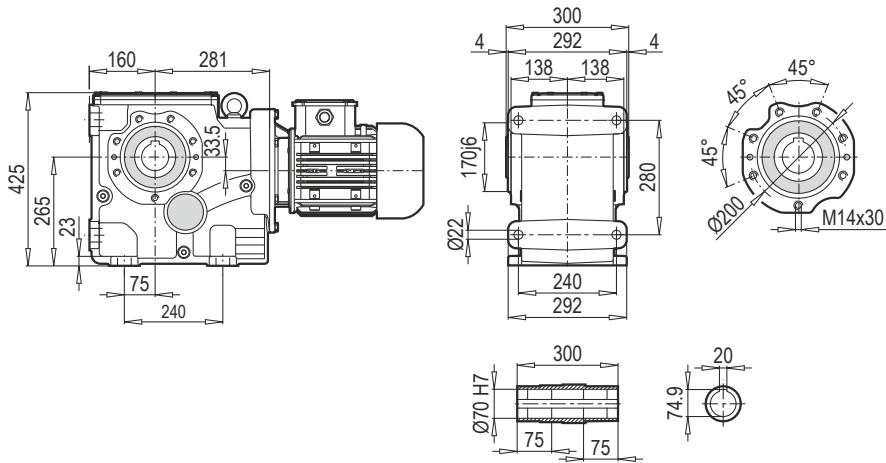
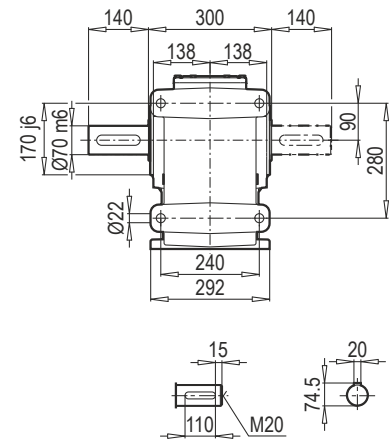


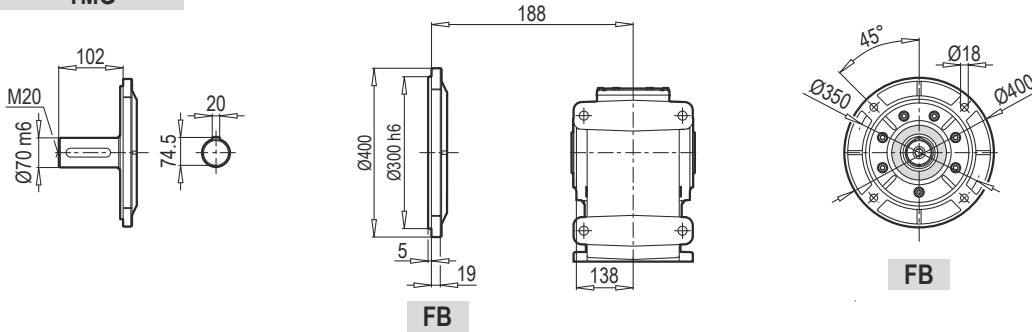
**K 70390**



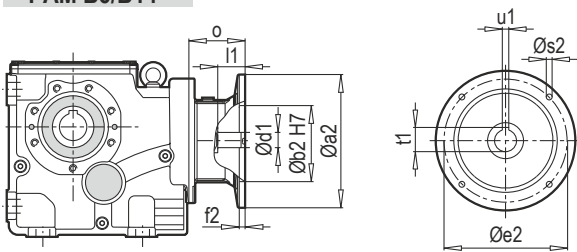
**TMA - CMA**



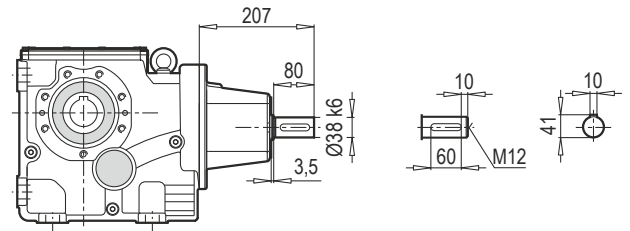
**TMG**



**PAM B5/B14**



**W**



W ~ Kr	
K 70390	134.5

Редуктор	PAM B5	Øa2	Øb2	Øe2	f2	Øs2	Ød1	l1	t1	u1	o
K 70390	100	250	180	215	5.5	12	28	62	31.3	8	76
	112	250	180	215	5.5	12	28	62	31.3	8	76
	132	300	230	265	5.5	12	38	82	41.3	10	101
	160	350	250	300	7	16	42	112	45.3	12	148
	180	350	250	300	7	16	48	112	51.8	14	148
	200	400	300	350	7	16	55	112	59.3	16	185

~ Kr	
PAM B5	K 70390
100	129.5
112	129.5
132	132.5
160	138.5
180	138.5
200	154.5

Редуктор	PAM B14	Øa2	Øb2	Øe2	f2	Øs2	Ød1	l1	t1	u1	o
K 70390	100	160	110	130	3.5	9	28	62	31.3	8	76
	112	160	110	130	3.5	9	28	62	31.3	8	76
	132	200	130	165	3.5	11	38	82	41.3	10	101

~ Kr	
PAM B14	K 70390
100	125
112	125
132	131

Редуктор	i	4- пол. 50 Гц 1400 об/мин n <sub>2</sub> [ об/мин]	M <sub>a</sub> макс f <sub>B</sub> =1 4 - пол. [ Нм]	P <sub>1</sub> макс W f <sub>B</sub> ≥ 1				PAM - IEC								
				4 - пол. 1400 об/мин [кВт]	FR1 [кВт]	FR2 (M) [кН]	FR2 (D,KS) [кН]									
<b>K70390</b>  <b>W</b>  1 <b>+</b> <b>PAM - IEC</b>  1	183.27	7.6	5000	4.44	3.8	45.0	45.0	100	112	132						
	162.98	8.6	5000	5.00	3.8	45.0	45.0	100	112	132	160	180				
	146.38	9.6	5000	5.56	3.8	45.0	45.0	100	112	132	160	180				
	133.53	10.5	5000	6.10	3.8	45.0	45.0	100	112	132	160	180				
		121.96	11.5	5000	6.68	3.8	45.0	45.0	100	112	132	160	180			
		109.54	12.8	5000	7.43	3.7	43.1	43.1	100	112	132	160	180			
	<b>+</b>	104.68	13.4	5000	7.78	3.7	42.0	42.0	100	112	132					
	<b>PAM - IEC</b>	93.09	15.0	5000	8.75	3.7	39.7	39.7	100	112	132	160	180			
		83.66	16.7	5000	9.73	3.6	37.9	37.9	100	112	132	160	180	200		
		76.27	18.4	5000	10.68	3.6	36.0	36.0	100	112	132	160	180			
		69.66	20.1	5000	11.69	3.6	34.4	34.4	100	112	132	160	180			
		63.37	22.1	5000	12.85	3.5	33.0	33.0	100	112	132	160	180	200		
		58.32	24.0	5000	13.96	3.5	31.5	31.5	100	112	132	160	180	200		
		53.98	25.9	5000	15.09	3.4	30.2	30.2	100	112	132	160	180	200		
		51.92	27.0	5000	15.69	3.4	29.8	29.8	100	112	132	160	180	200		
		47.78	29.3	5000	17.05	3.4	28.3	28.3	100	112	132	160	180	200		
		43.64	32.1	4800	17.92	3.3	27.7	27.7	100	112	132	160	180	200		
		39.27	35.6	4800	19.91	3.3	26.3	26.3			132	160	180	200		
		36.20	38.7	4800	21.60	3.2	25.0	25.0	100	112	132	160	180	200		
		32.18	43.5	4700	23.79	3.1	23.9	23.9			132	160	180	200		
		29.66	47.2	4700	25.81	3.0	22.7	22.7	100	112	132	160	180	200		
		27.09	51.7	4600	27.66	3.0	21.9	21.9	100	112	132	160	180	200		
		24.90	56.2	4600	30.09	2.9	21.0	21.0			132	160	180	200		
		22.43	62.4	4400	31.95	2.8	20.3	20.3			132	160	180	200		
		20.40	68.6	4000	31.94	2.8	20.8	20.8			132	160	180	200		
		18.38	76.2	3600	31.90	2.8	20.9	20.9			132	160	180	200		
		16.79	83.4	3200	31.04	2.8	21.3	21.3			132	160	180	200		
		14.23	98.4	3100	35.48	2.7	19.9	19.9			132	160	180	200		
		11.65	120.1	3100	43.34	2.4	18.0	18.0			132	160	180	200		
		10.64	131.5	3000	45.93	2.3	17.5	17.5			132	160	180	200		