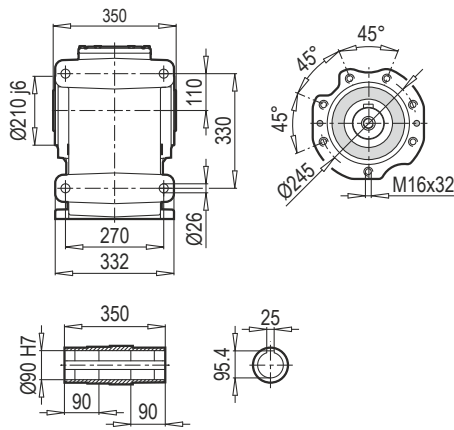
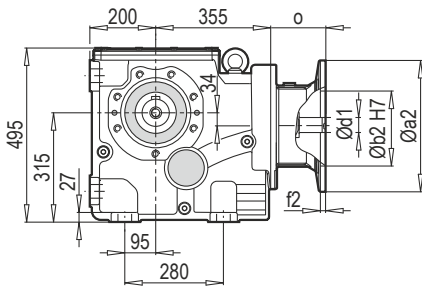
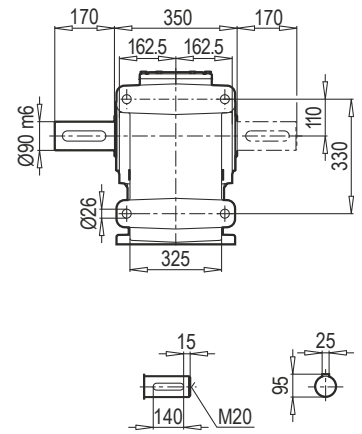


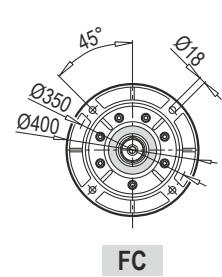
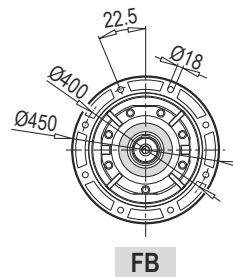
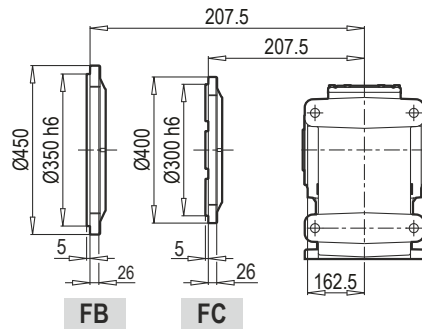
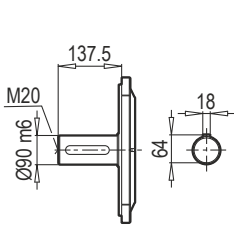
K 90390 PAM B5/B14



TMA - CMA



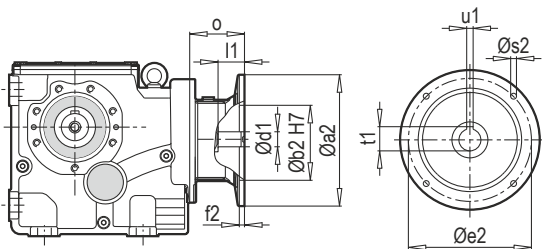
TMA



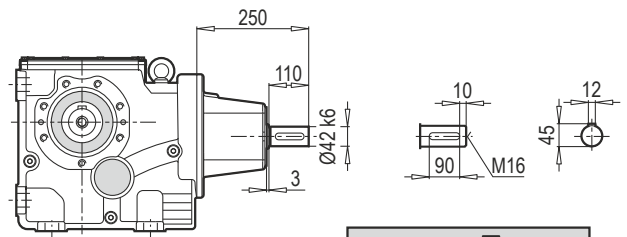
FB

FC

PAM B5/B14



W



W ~ Kr

K 90390	216.5
---------	-------

Редуктор	PAM B5	Øa2	Øb2	Øe2	f2	Øs2	Ød1	l1	t1	u1	o
K 90390	132	300	230	265	5.5	12	38	82	41.3	10	76
	160	350	250	300	7	16	42	112	45.3	12	124
	180	350	250	300	7	16	48	112	51.8	14	124
	200	400	300	350	7	16	55	112	59.3	16	161
	225	450	350	400	7	16	60	142	64.4	18	161

Редуктор	PAM B14	Øa2	Øb2	Øe2	f2	Øs2	Ød1	l1	t1	u1	o
K 90390	132	200	130	165	3.5	11	38	82	41.3	10	76

~ Kr

PAM B5 K 90390

132	203.5
160	211.5
180	211.5
200	226.5
225	229.5

~ Kr

PAM B14 K 90390

132	197
-----	-----

Редуктор	i	4 - пол. 50 Гц 1400 об/мин n ₂ [об/мин]	M _a макс f _B =1 4 - пол. [Нм]	P ₁ макс W f _B ≥				PAM - IEC					
				4 - пол. 1400 об/мин [кВт]	FR1 [кН]	FR2 (M) [кН]	FR2 (D,KS) [кН]						
K90390 W 1 + PAM - IEC W 1	168.56	8.3	8000	7.73	9.6	65.0	65.0	132	160	180			
	152.10	9.3	8000	8.62	9.5	65.0	65.0	132	160	180			
	136.87	10.2	8000	9.52	9.5	65.0	65.0	132	160	180			
	126.23	11.1	8000	10.32	9.4	65.0	65.0	132	160	180			
	105.17	13.3	8000	12.39	9.4	65.0	65.0	132	160	180	200	225	
	94.90	14.8	8000	13.73	9.3	65.0	65.0	132	160	180	200	225	
	88.87	15.8	8000	14.66	9.3	65.0	65.0	132	160	180			
	85.54	16.4	8000	15.23	9.2	65.0	65.0	132	160	180			
	78.76	17.8	8000	16.54	9.2	64.1	64.1	132	160	180	200	225	
	72.16	19.4	8000	18.06	9.1	62.1	62.1	132	160	180			
	64.83	21.6	8000	20.10	9.0	59.4	59.4	132	160	180	200	225	
	62.21	22.5	8000	20.95	9.0	58.4	58.4	132	160	180	200	225	
	58.50	23.9	8000	22.27	8.9	57.0	57.0	132	160	180	200	225	
	55.45	25.2	8000	23.50	8.9	55.9	55.9	132	160	180	200	225	
	51.63	27.1	8000	25.24	8.8	54.2	54.2	132	160	180	200	225	
	48.55	28.8	8000	26.84	8.8	52.9	52.9	132	160	180	200	225	
	42.94	32.6	8000	30.35	8.6	50.5	50.5	132	160	180	200	225	
	39.74	35.2	8000	32.79	8.5	48.7	48.7		160	180	200	225	
	35.85	39.1	8000	36.35	8.4	46.7	46.7		160	180	200	225	
	34.18	41.0	8000	38.12	8.3	45.9	45.9	132	160	180	200	225	
	30.84	45.4	8000	42.25	8.1	44.0	44.0	132	160	180	200	225	
	28.71	48.8	8000	45.39	8.0	42.7	42.7	132	160	180	200	225	
	25.60	54.7	6800	43.27	8.1	42.4	42.4	132	160	180	200	225	
	24.50	57.1	6700	44.54	8.0	41.7	41.7		160	180	200	225	
	20.95	66.8	6500	50.54	7.8	39.5	39.5		160	180	200	225	
	18.90	74.1	6000	51.71	7.7	38.6	38.6		160	180	200	225	
	15.69	89.2	5000	51.91	7.7	37.2	37.2		160	180	200	225	
	14.32	97.8	5000	56.87	7.5	35.9	35.9		160	180	200	225	
	12.92	108.5	4500	56.73	7.5	35.1	35.1		160	180	200	225	
	10.72	130.6	4500	68.38	7.0	32.7	32.7		160	180	200	225	